

C.I.P.

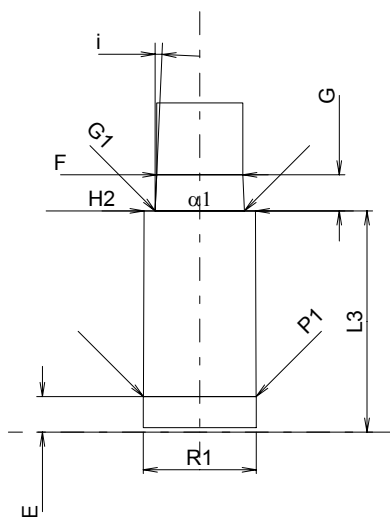
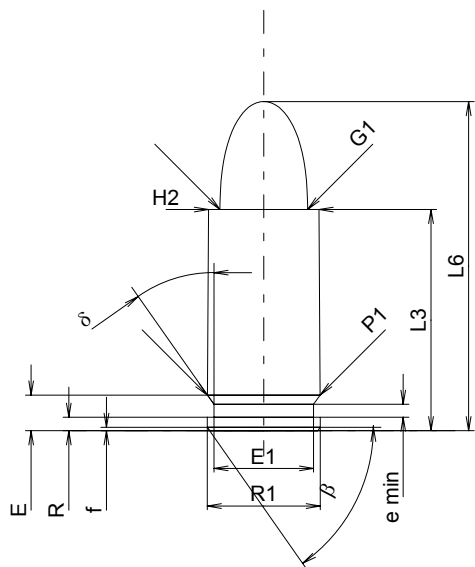
9 mm FX & CQT

Country of Origin: CA

TAB. IV

Date 98-01-27

Revision 00-06-07



CARTRIDGE MAXI

Lengths

| | | | |
|------------------|---|-------|-------|
| L1 | = | | |
| L2 | = | | |
| L3 ¹⁾ | = | 19.51 | -0.25 |
| L4 | = | | |
| L5 | = | | |
| L6 | = | 29.03 | |

Case Head

| | | | |
|-------|---|------|--|
| R | = | 1.19 | |
| R1 | = | 9.96 | |
| R3 | = | | |
| E | = | 3.14 | |
| E1 | = | 8.79 | |
| e min | = | 1.14 | |
| delta | = | 35° | |
| f | = | 0.30 | |
| beta | = | 55° | |

Powder Chamber

| | | | |
|----|---|------|--|
| P1 | = | 9.93 | |
| P2 | = | | |

Junction Cone

| | | | |
|--------|---|--|--|
| alpha | = | | |
| S | = | | |
| r1 min | = | | |
| r2 | = | | |

Collar

| | | | |
|------------------|---|------|--|
| H1 | = | | |
| H2 ¹⁾ | = | 9.75 | |

Projectile

| | | | |
|--------------------|---|-------|--|
| G1 ¹⁾ | = | 7.72 | |
| G2 | = | | |
| F | = | | |
| L3+G ¹⁾ | = | 22.69 | |

Pressures (Energies)

Method Transducer

| | | | |
|------|---|---------|--|
| Pmax | = | 350 bar | |
| PK | = | 403 bar | |
| PE | = | 455 bar | |
| M | = | 12.50 | |

Miscellaneous Dimensions

| | | | |
|------------------|---|------|--|
| Fe ¹⁾ | = | 0.30 | |
| delta L | = | | |

CHAMBER MINI

Lengths

| | | | |
|------------------|---|-------|--|
| L1 | = | | |
| L2 | = | 14.00 | |
| L3 ¹⁾ | = | 19.51 | |

Breech

| | | | |
|----|---|------|--|
| R | = | | |
| R1 | = | 9.96 | |
| R2 | = | | |
| R3 | = | | |
| r | = | | |

Powder Chamber

| | | | |
|------------------|---|------|--|
| E | = | 3.14 | |
| P1 ¹⁾ | = | 9.94 | |
| P2* | = | 9.86 | |

Junction Cone

| | | | |
|--------|---|--|--|
| alpha | = | | |
| S | = | | |
| r1 max | = | | |
| r2 | = | | |

Collar

| | | | |
|------------------|---|------|--|
| H1 | = | | |
| H2 ¹⁾ | = | 9.82 | |

Commencement of Rifling

| | | | |
|-------------------|---|----------|--|
| G1 ^{1)*} | = | 7.87 | |
| G ¹⁾ | = | 3.18 | |
| alpha1* | = | 180° | |
| h | = | | |
| s | = | | |
| i ^{1)*} | = | 2°31'14" | |
| w | = | | |

Barrel

| | | | |
|------------------|---|------|--|
| F ^{1)*} | = | 7.59 | |
| Z ¹⁾ | = | 7.81 | |

Grooves

| | | | |
|---|---|--------|-----------------|
| b | = | 1.02 | |
| N | = | 6 | |
| u | = | 254.00 | |
| Q | = | 45.92 | mm ² |

Scale 1.5:1

Dimensions in << mm >>
Dimensions and Tolerances for Proof Barrels
see Appendix CR 1.

Notes: 1) Check for safety reasons
* Basic dimensions